

# Technical information

## Polar 2-50



### Characteristics

- Supplied with two sealing bars as standard (front/rear)
- Double seal as standard (two sealing wires). Optional at no extra cost: Cut-off seal/Wide seal (10 mm)
- Easy-to-remove silicone holders for easy cleaning
- Digital time control with ten-program memory as standard
- Soft Air as standard to protect the product and vacuum bag
- Stainless steel casing and flat working plate
- Supplied with four insert plates for a faster cycle and good product positioning
- IP-65 classification

### Opties

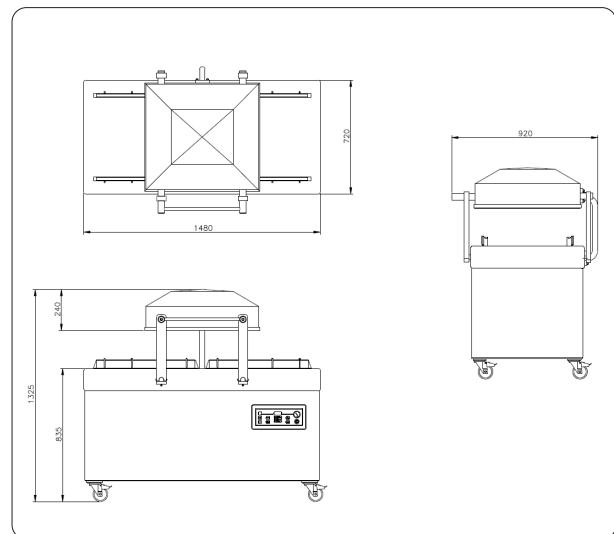
- 1-2 Cut-off seal/Bi-Active seal
- Sensor control
- Advanced Control System (ACS)
- Liquid control
- Gas flush (incl. compressed air connection)
- Connection for external pump
- (Lightweight) bag clamp

### Accessories

- Thermal label printer (only in combination with ACS)
- Inclined insert plate (for liquids and powders)
- Maintenance set for standard maintenance



### Dimensions mm



Specs	Polar 2-50
Chamber LxWxH (mm)	500x620x240
Machine LxWxH (mm)	920x1480x1325
Voltage	400V-3-50Hz 230V-3-50Hz 220V-3-60Hz 200V-3-50/60Hz
Pump capacity 50 Hz/60 Hz (m3)	100 / 120
Machine cycle 50 Hz/60 Hz (sec.)	13 - 28 / 11 - 25
Power (kW)	2,6 - 3,9
Weight (kg)	345
Net seal length (mm)	2 x 620
Standard sealing bar configuration	